

For reference only. See data sheet for the detailed specifications.

Technical Specification (Pattern tested by NSI - www.nearfield.com)

| | |
|----------------------------|--|
| Frequency Range(GHz) | 2.0 – 18.0 |
| Gain(dBi) | 13 Typ. |
| Polarization | Dual Linear |
| 3dB Beamwidth(deg) | E Plane: 49 - 20 |
| | H Plane: 81 - 10 |
| Cross Pol. Isolation(dB) | 30 Typ. ; 20 Min. |
| Port to Port Isolation(dB) | 30 Typ. ; 20 Min. |
| VSWR | 2.0:1 Typ. |
| | 3.0:1 Max. |
| Connector | SMA-Female |
| Power Handling(W CW) | 50 Max. |
| Material | Al |
| Finish | Chemical Conversion Coating and Nickel Plated |
| Size(mm) | 140.14 x 140.14 x 196.46 |
| Net Weight(Kg) | 0.61 Around |

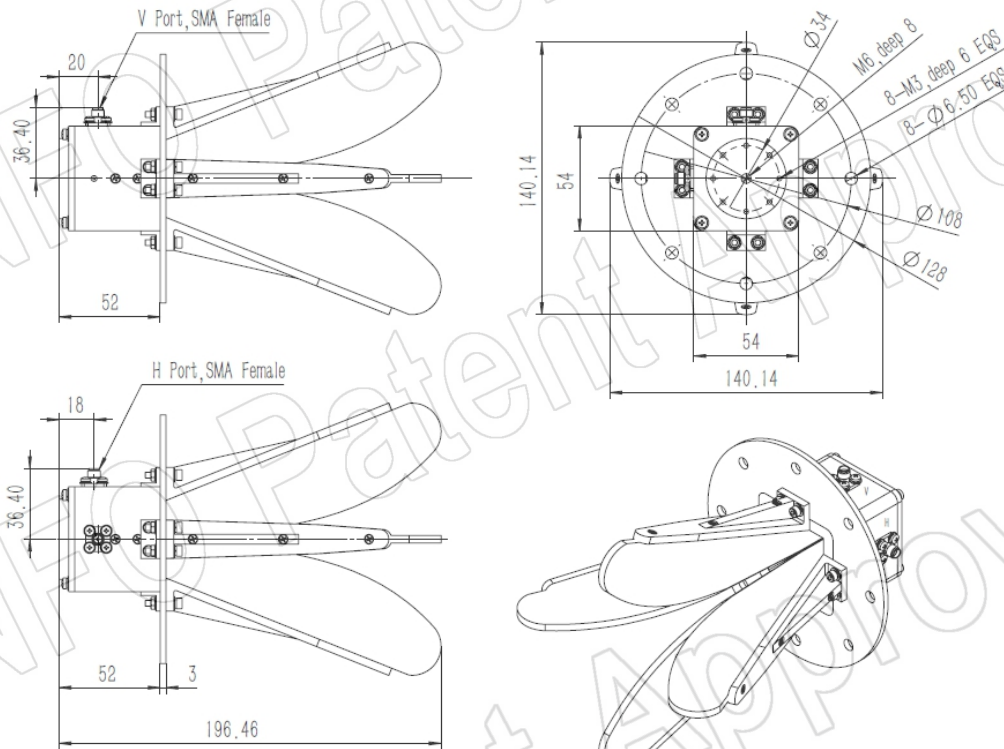


PATENT ID (China)

ZL201630454775.6

Outline Drawing (Size: mm)

SMA-Female Output (P/N: LB-OSJ-20180-SF)



AINFO Inc.

China(Beijing):
China(Chengdu):
USA :

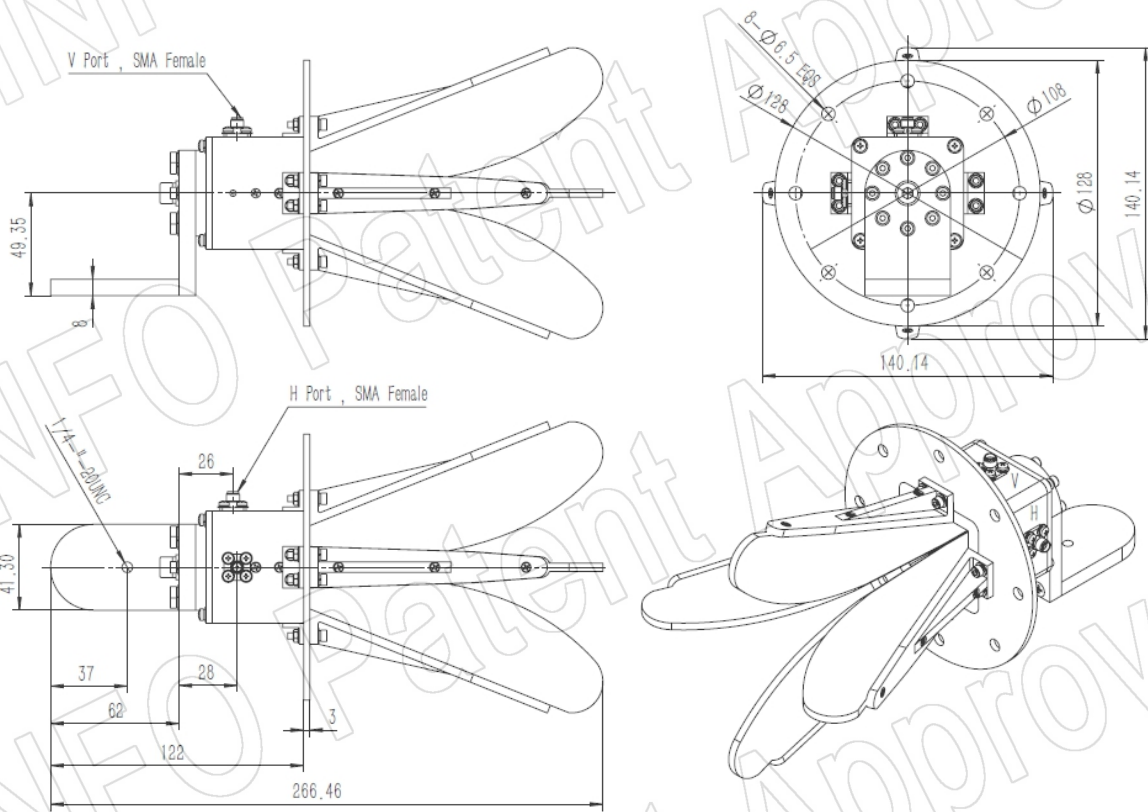
Tel: (+86) 10-6266-7326,
Tel: (+86) 28-8519-2786,
Tel: (+1) 949-639-9688,

(+86) 10-6266-7327
(+86) 28-8519-3044
(+1) 949-639-9608

Fax: (+86) 10-6266-7379
Fax: (+86) 28-8519-3068
Fax: (+1) 949-639-9670

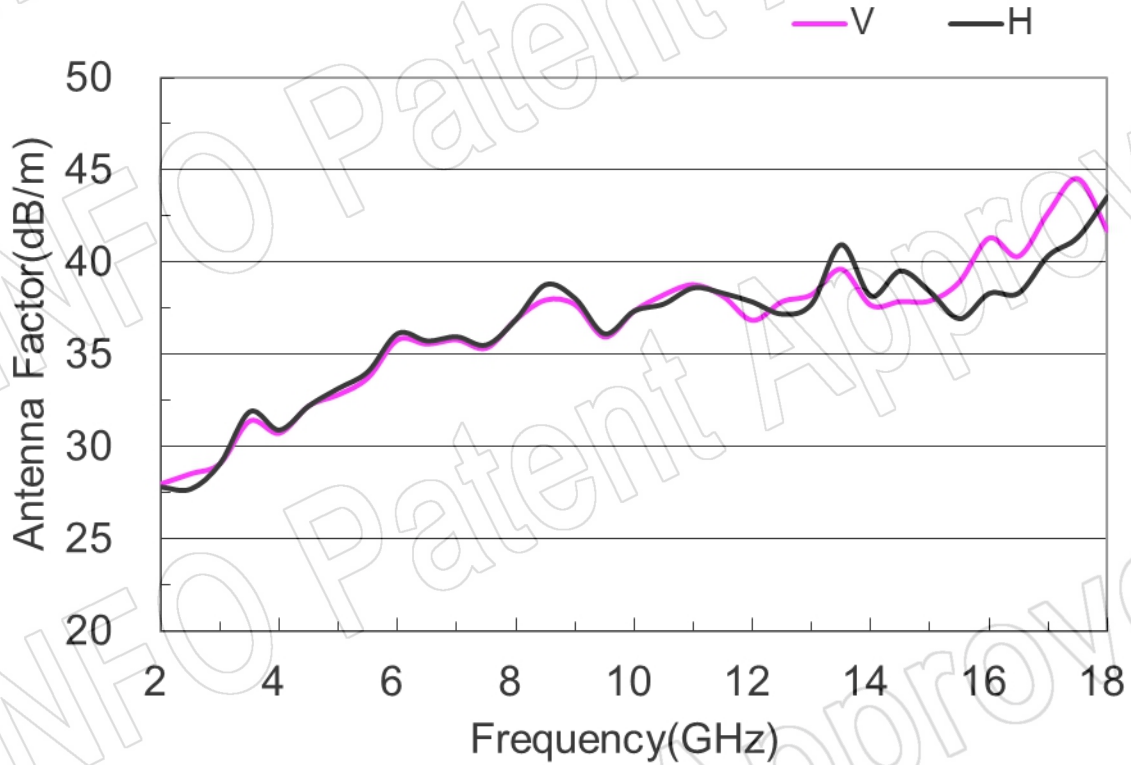
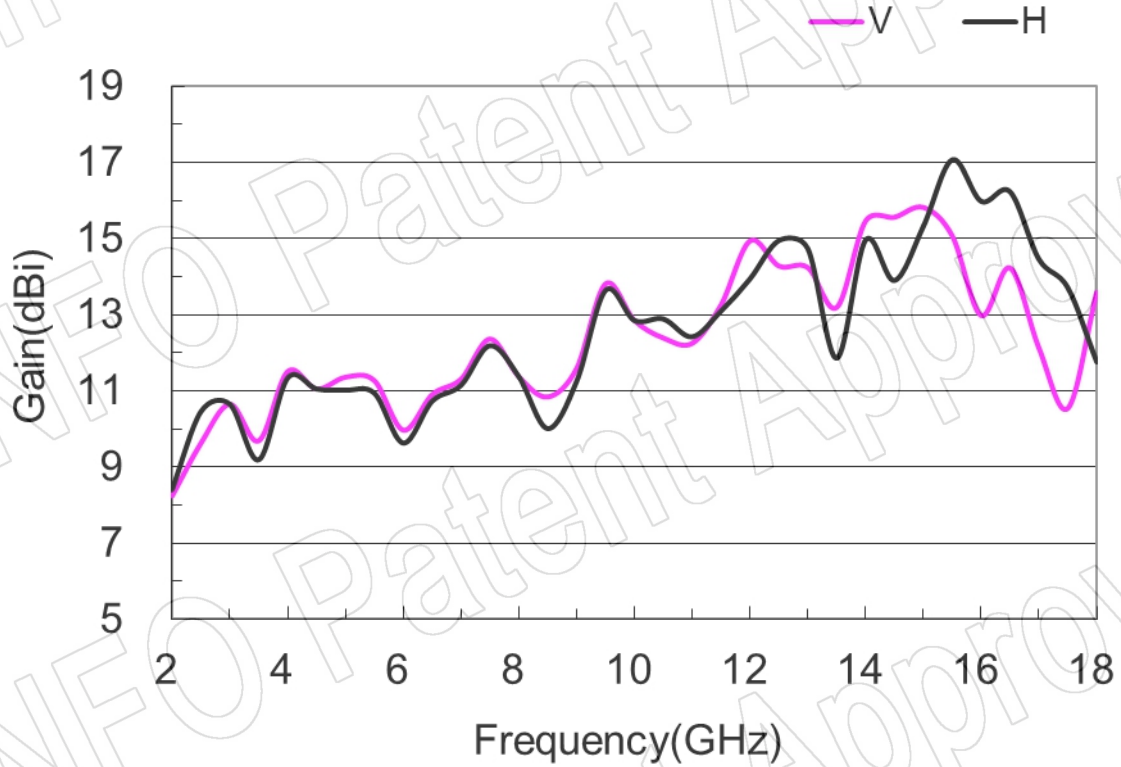
Website: www.ainfoinc.com
Email: sales@ainfoinc.com

SMA-Female Output with L Type Mounting Bracket (Option, P/N: LB-20180-L)

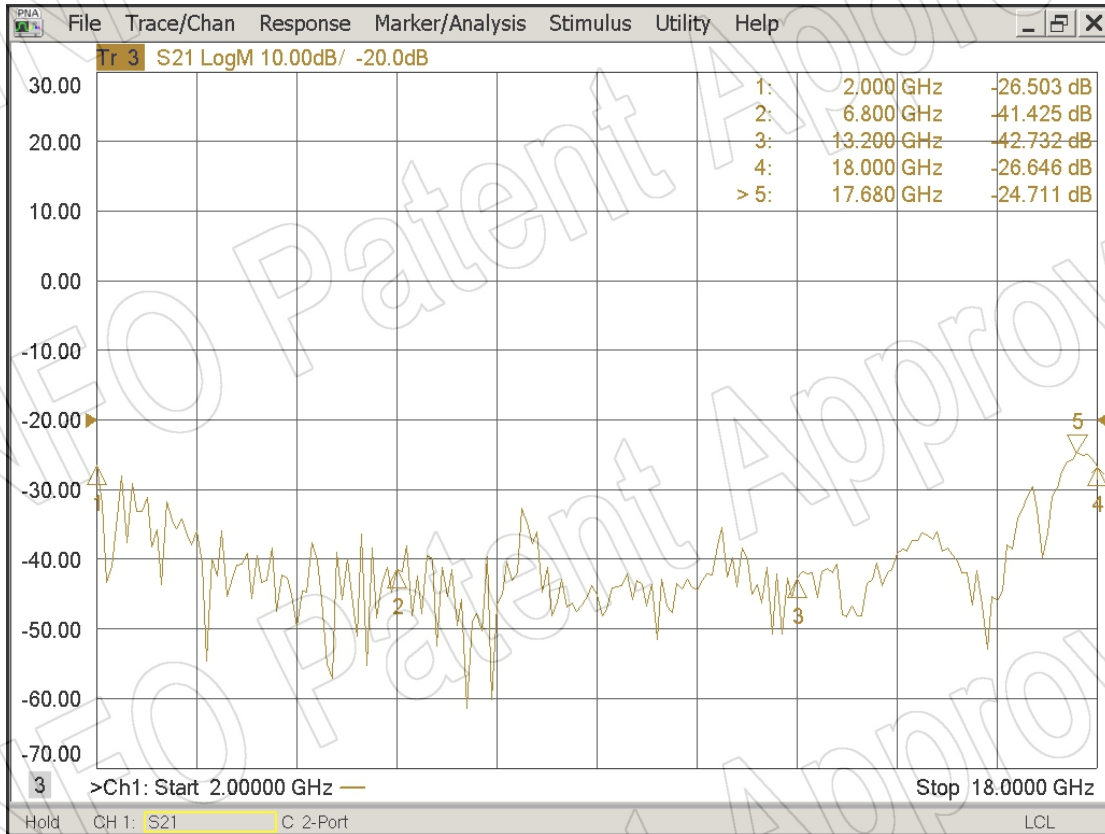


Test Results

1. Gain & Antenna Factor

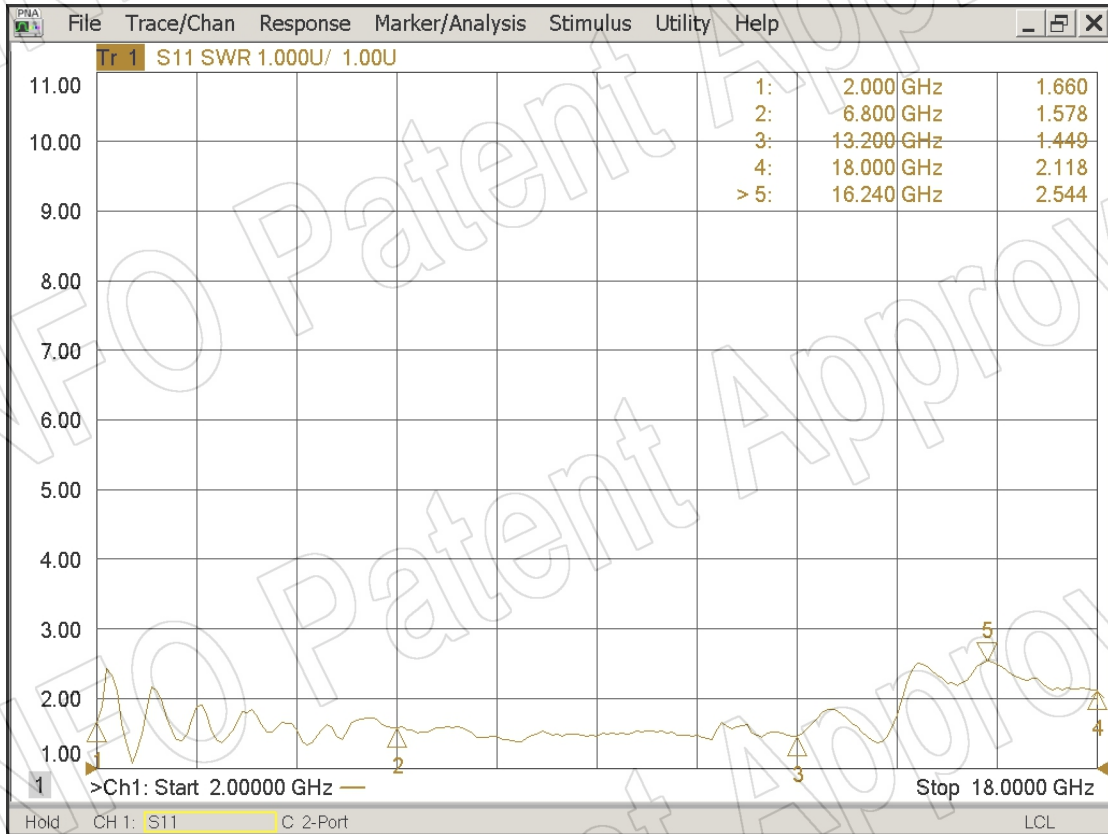


2. Port to Port Isolation

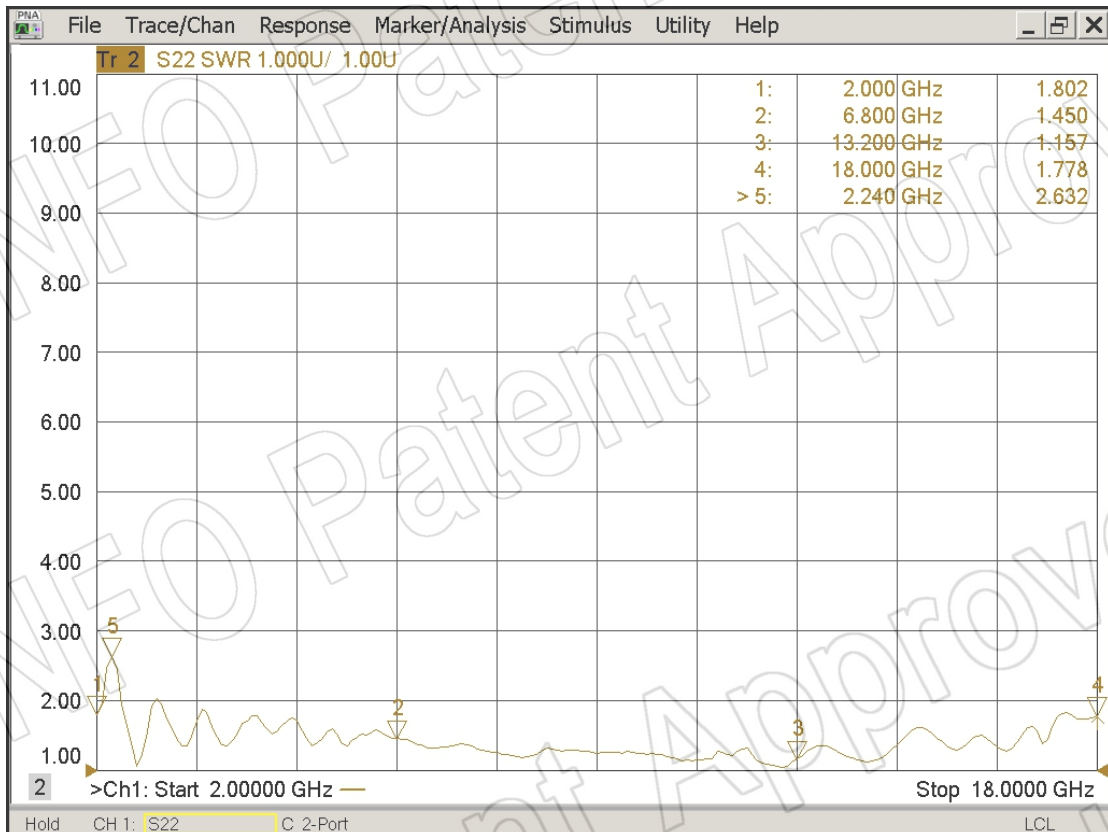


3. VSWR

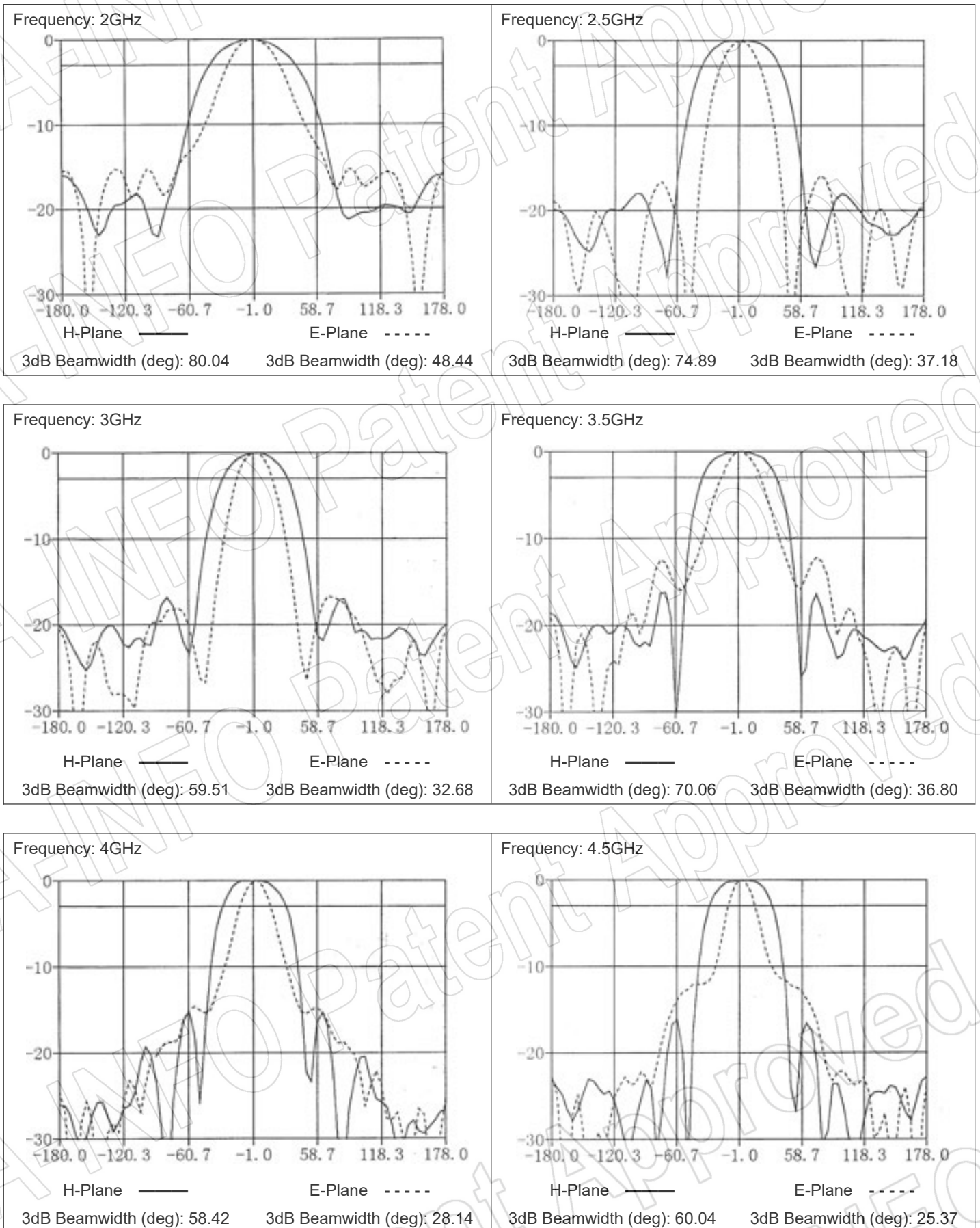
Port-H



Port-V



4. Pattern



AINFO Inc.

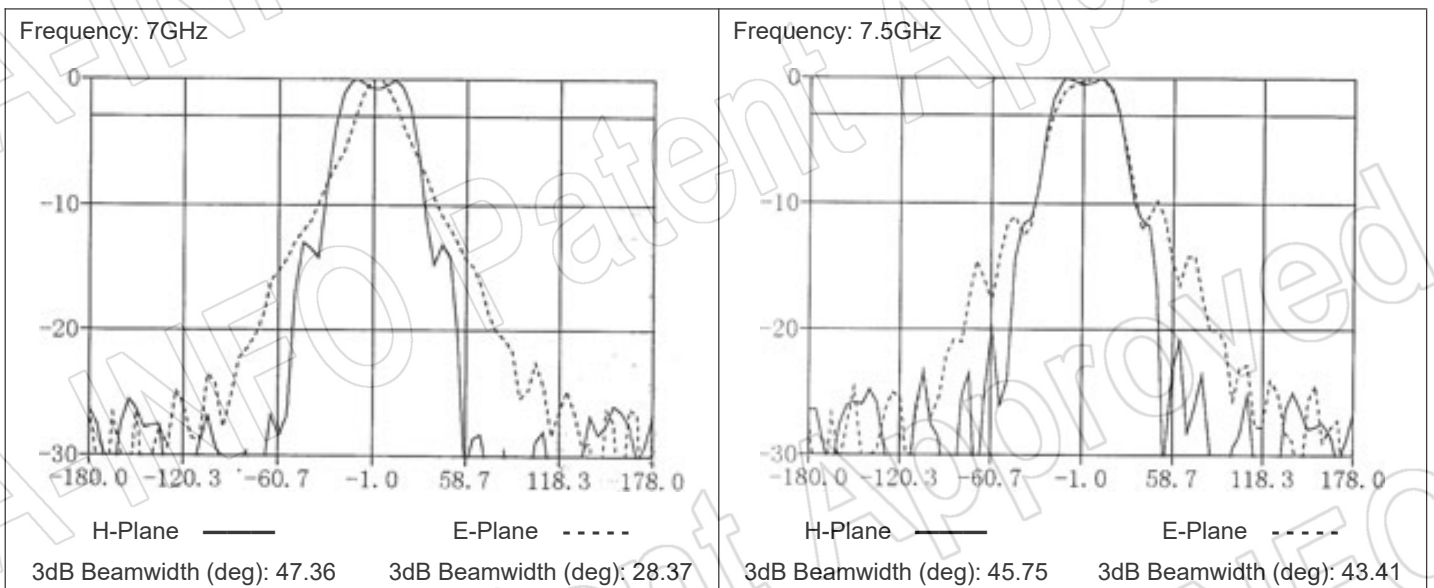
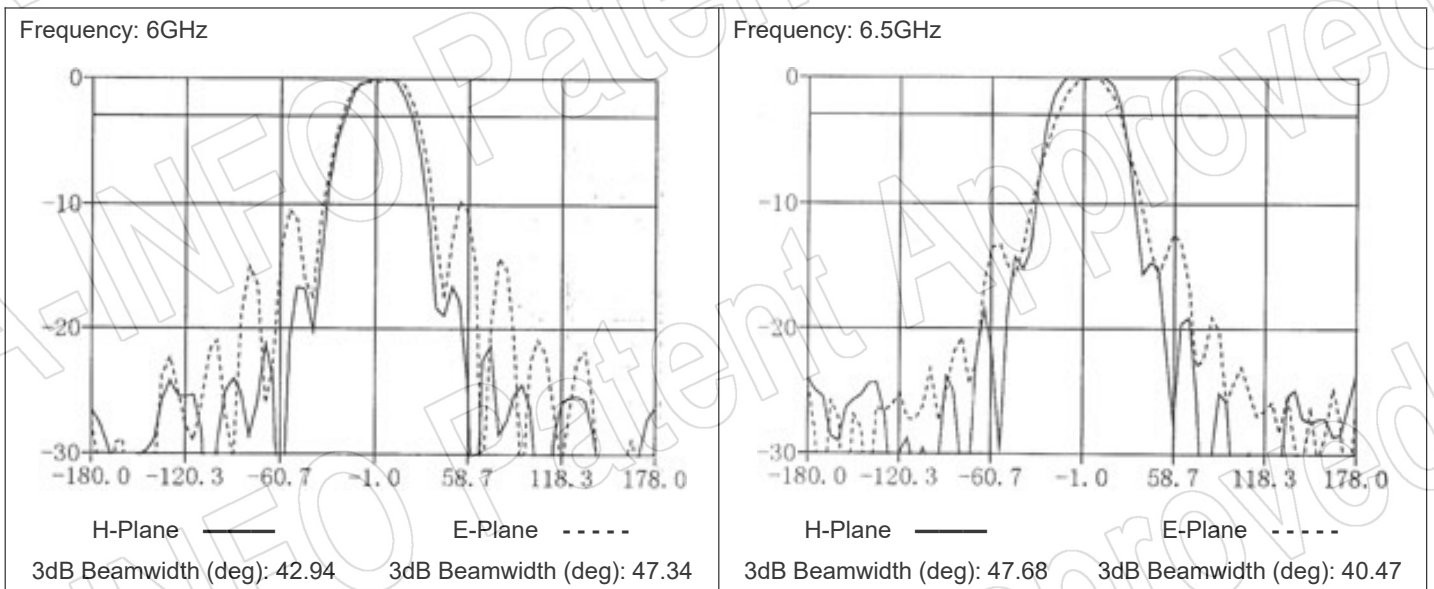
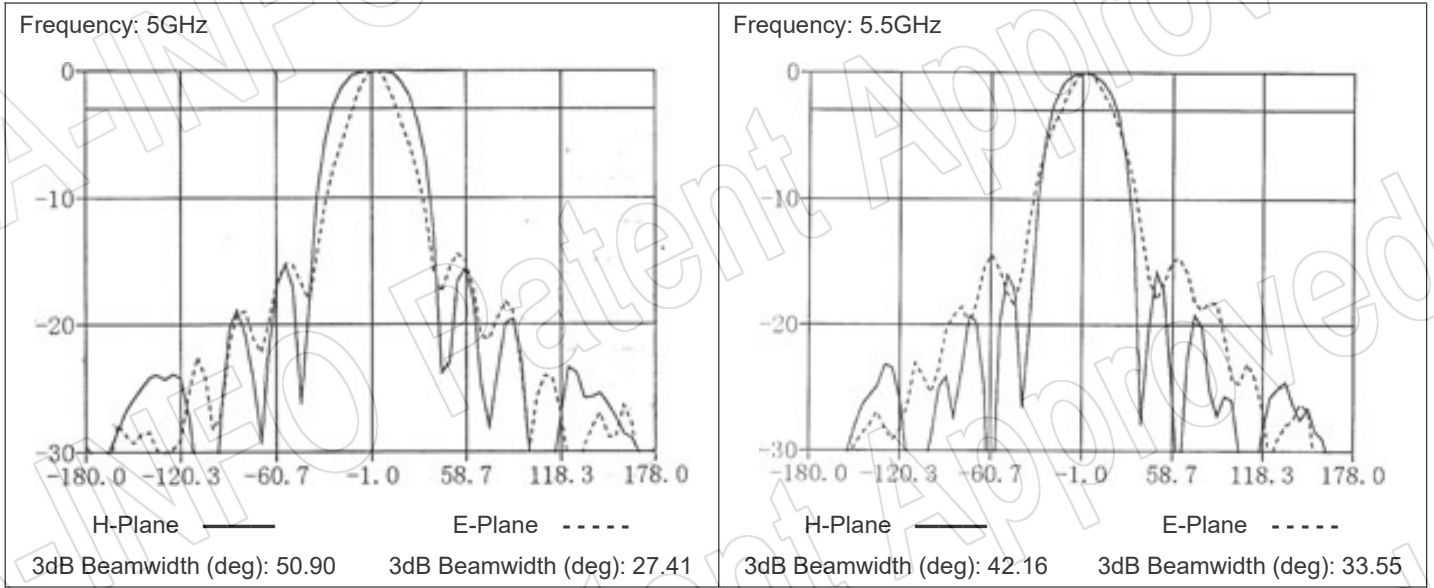
China(Beijing):
China(Chengdu):
USA :

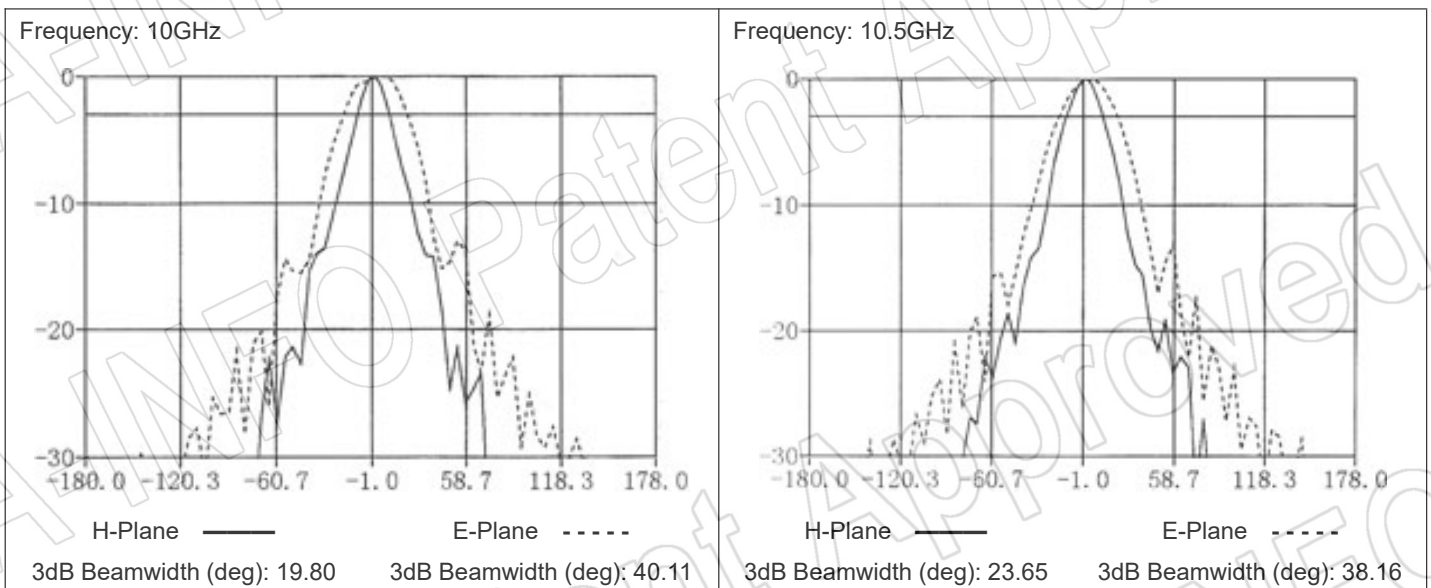
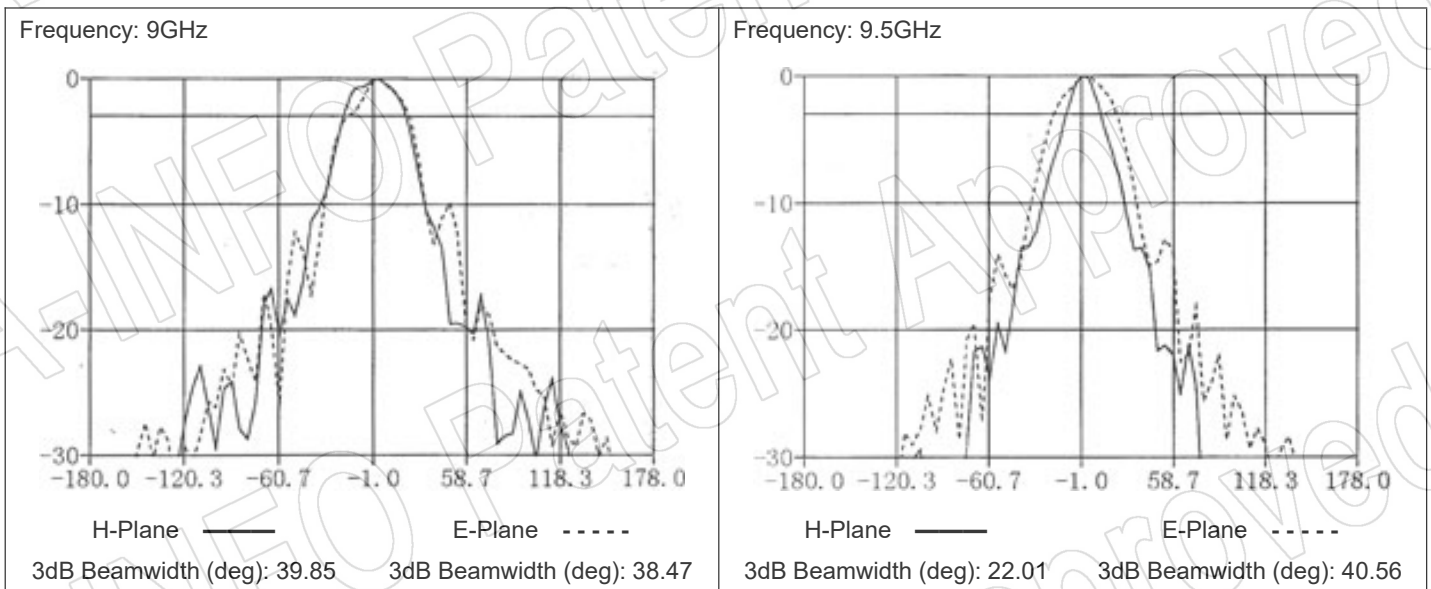
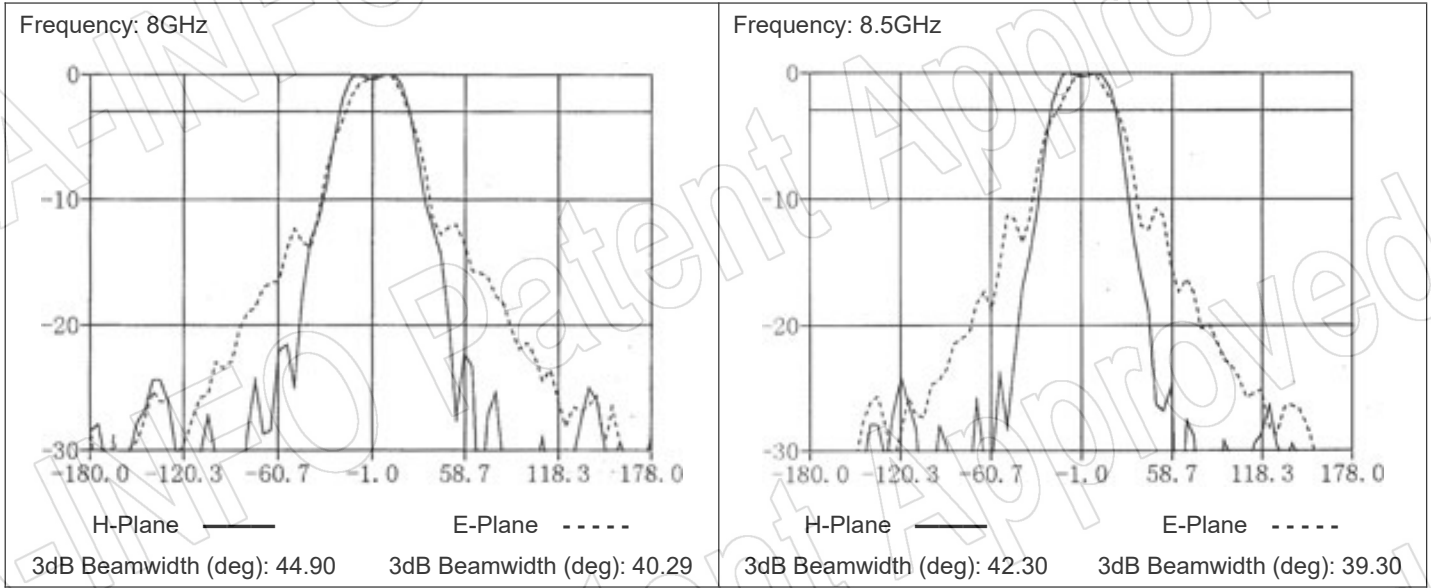
Tel: (+86) 10-6266-7326,
Tel: (+86) 28-8519-2786,
Tel: (+1) 949-639-9688,

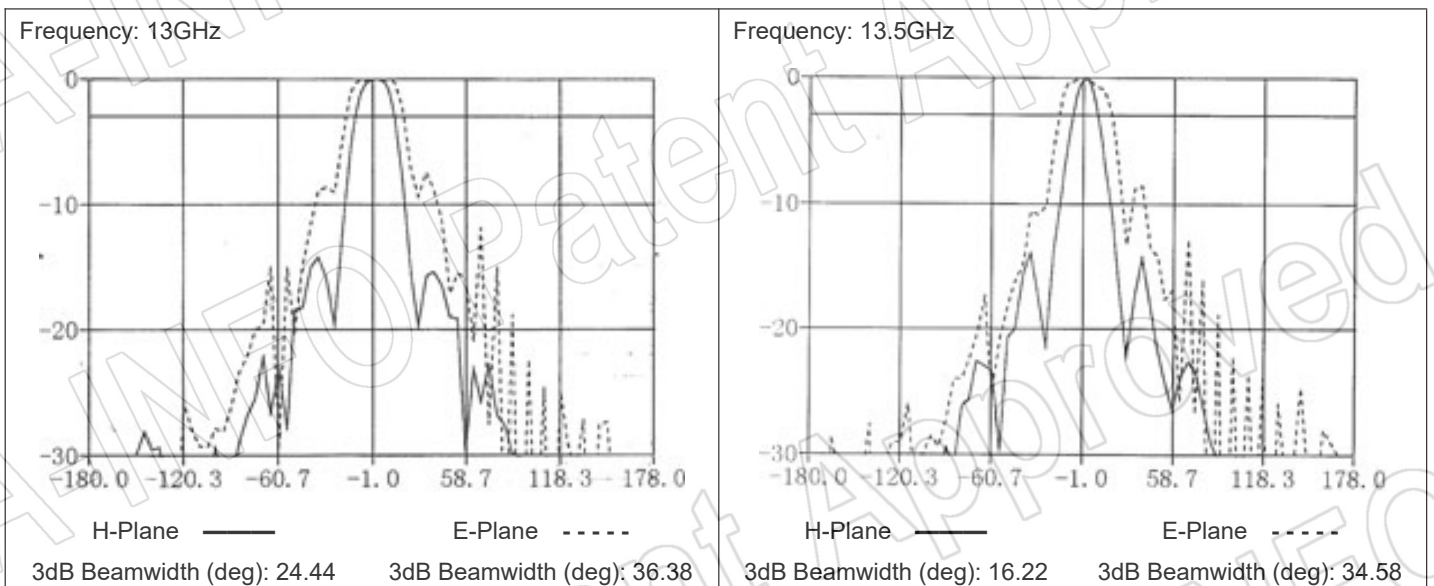
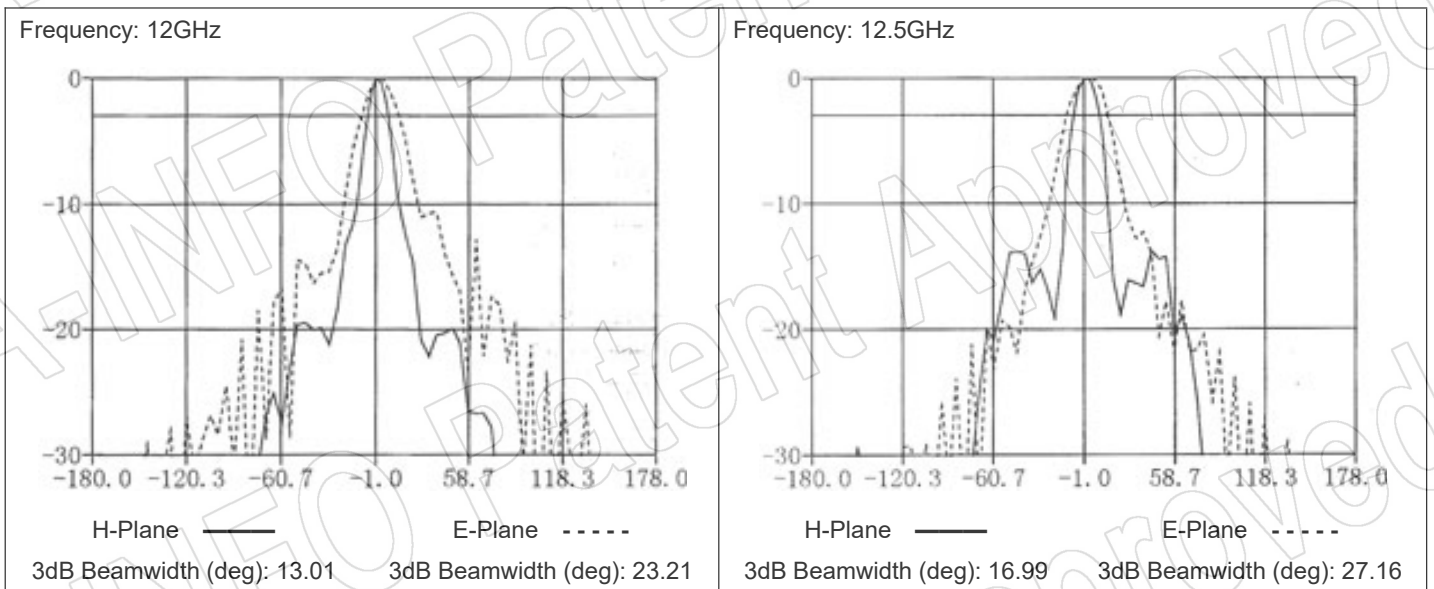
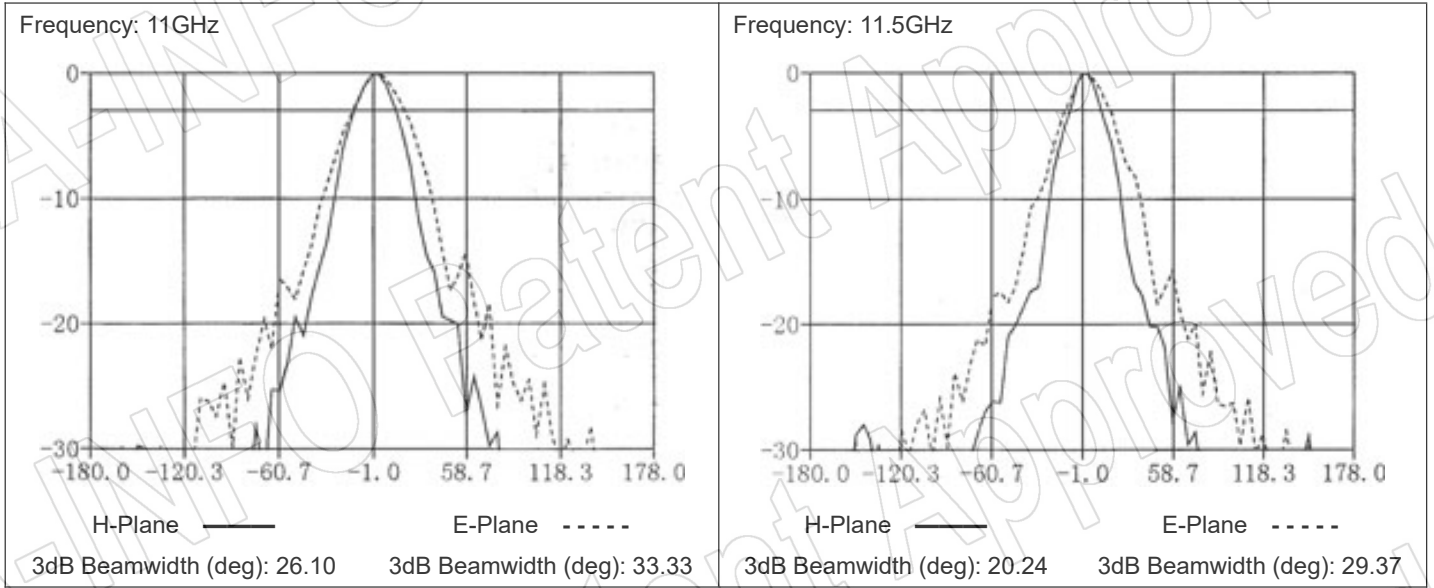
(+86) 10-6266-7327
(+86) 28-8519-3044
(+1) 949-639-9608

Fax: (+86) 10-6266-7379
Fax: (+86) 28-8519-3068
Fax: (+1) 949-639-9670

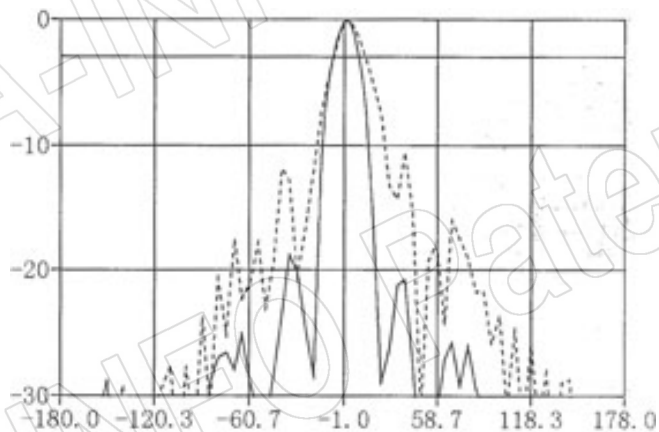
Website: www.ainfoinc.com
Email: sales@ainfoinc.com





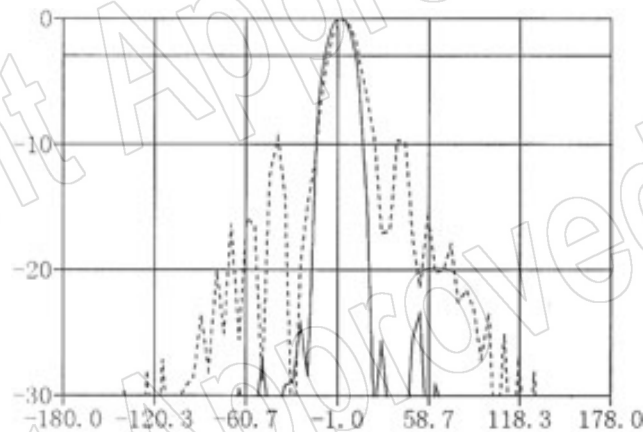


Frequency: 14GHz



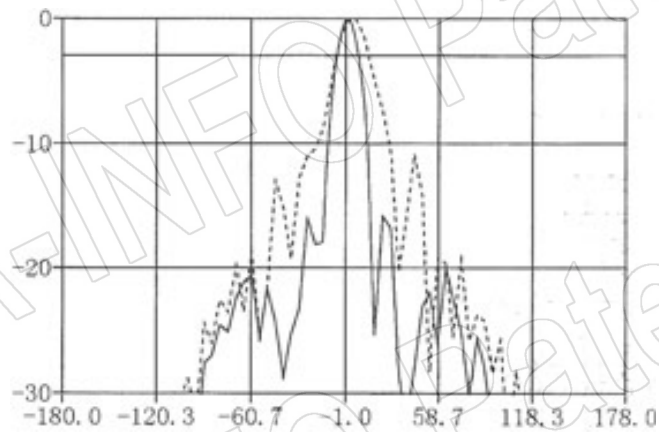
H-Plane ——— E-Plane - - - - -
3dB Beamwidth (deg): 16.16 3dB Beamwidth (deg): 20.16

Frequency: 14.5GHz



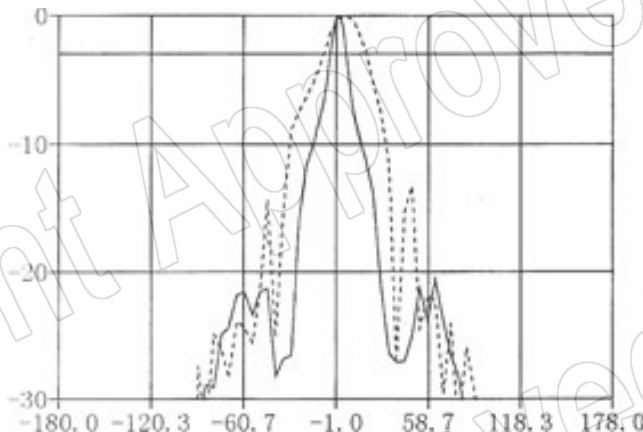
H-Plane ——— E-Plane - - - - -
3dB Beamwidth (deg): 19.82 3dB Beamwidth (deg): 20.01

Frequency: 15GHz



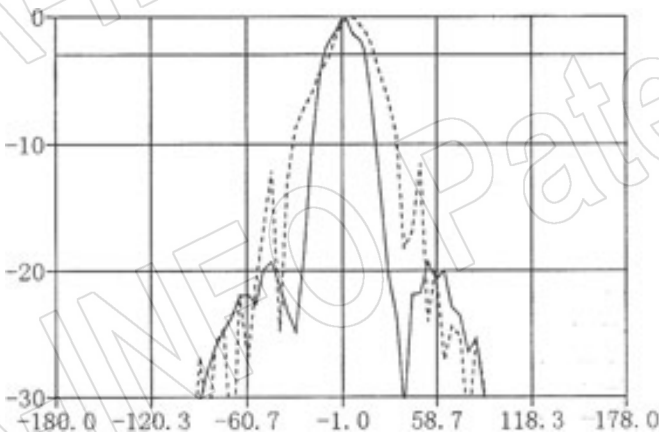
H-Plane ——— E-Plane - - - - -
3dB Beamwidth (deg): 13.67 3dB Beamwidth (deg): 20.75

Frequency: 15.5GHz



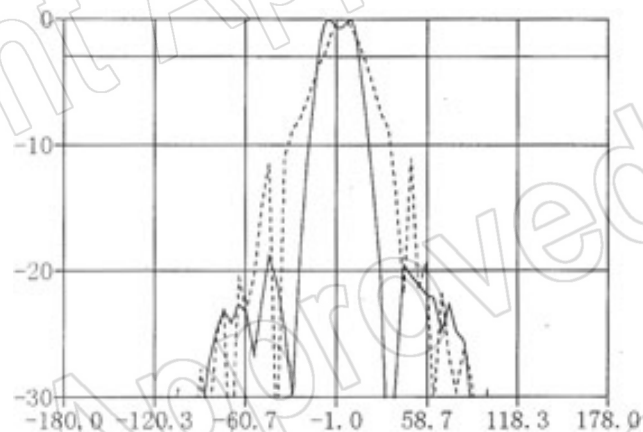
H-Plane ——— E-Plane - - - - -
3dB Beamwidth (deg): 10.21 3dB Beamwidth (deg): 27.44

Frequency: 16GHz

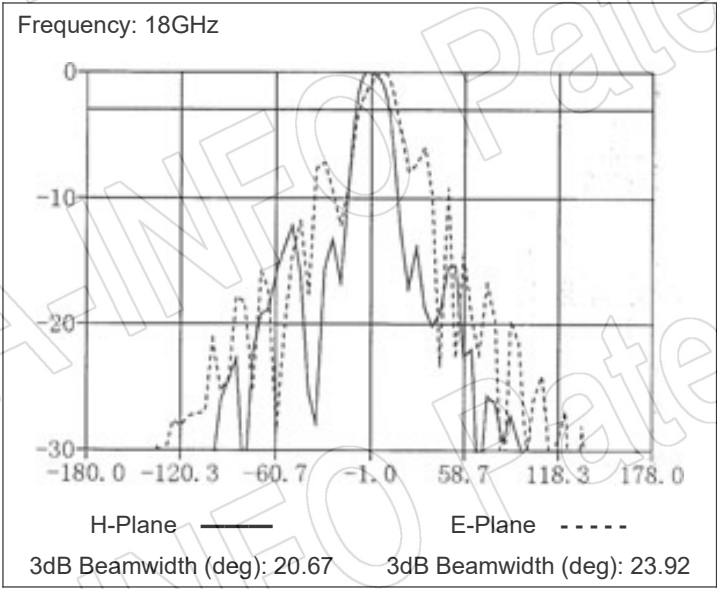
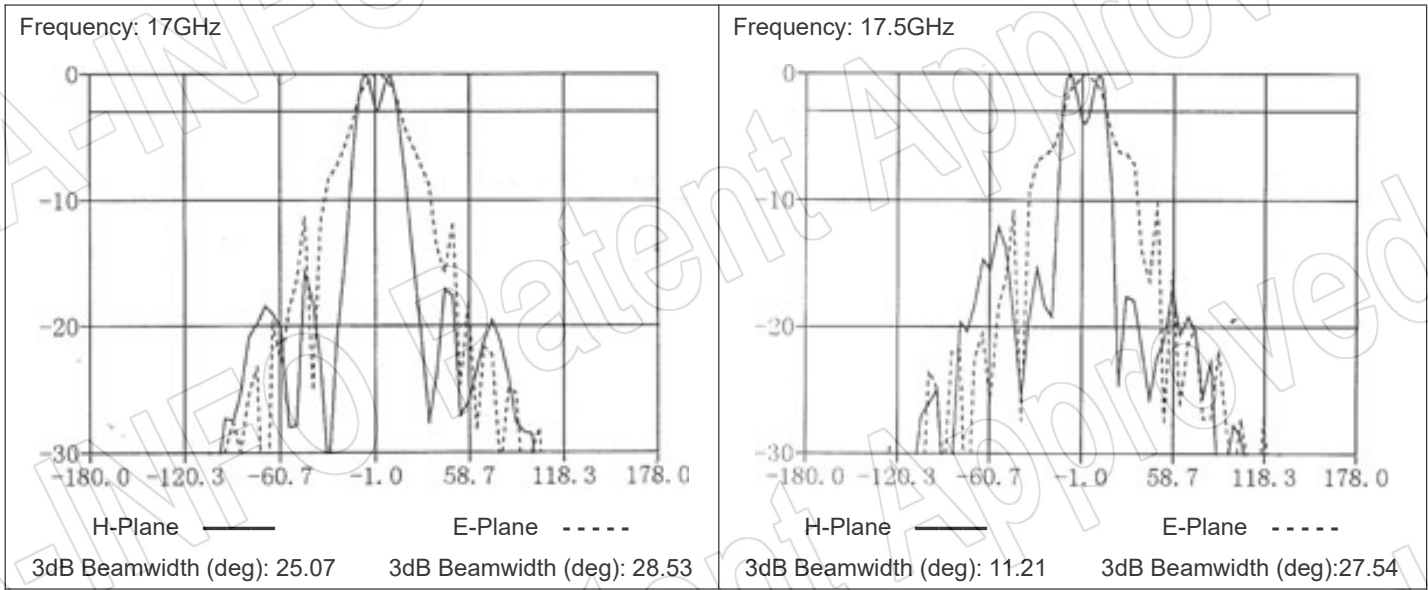


H-Plane ——— E-Plane - - - - -
3dB Beamwidth (deg): 25.46 3dB Beamwidth (deg): 28.33

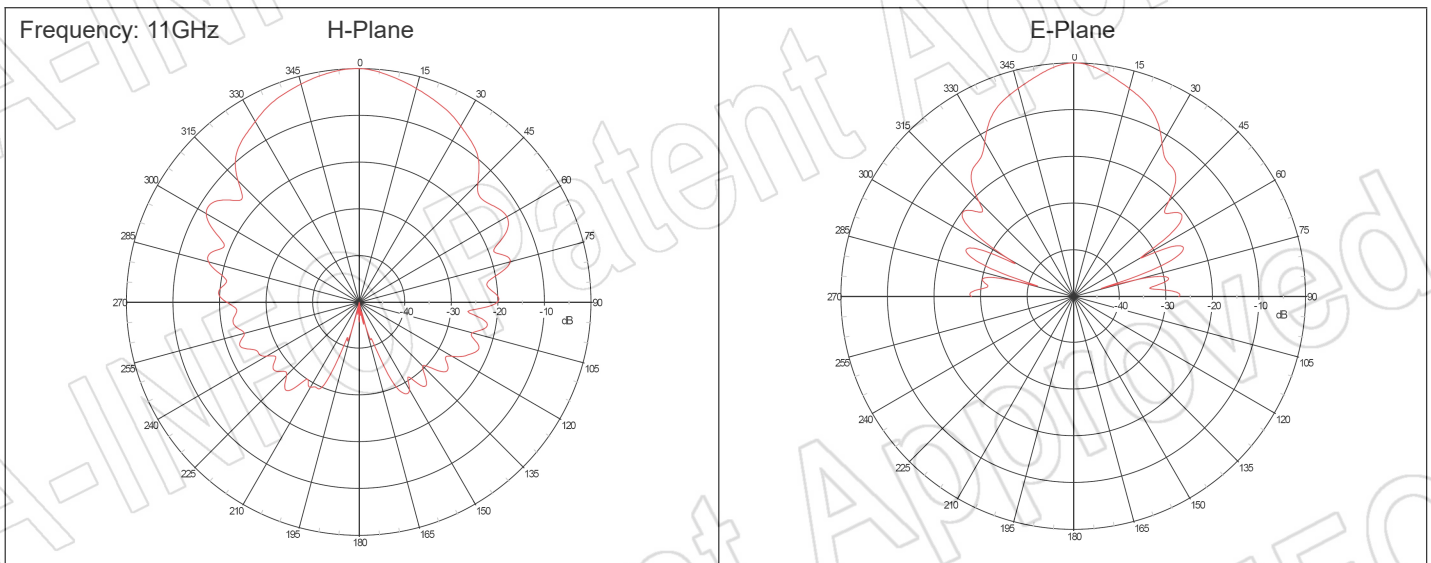
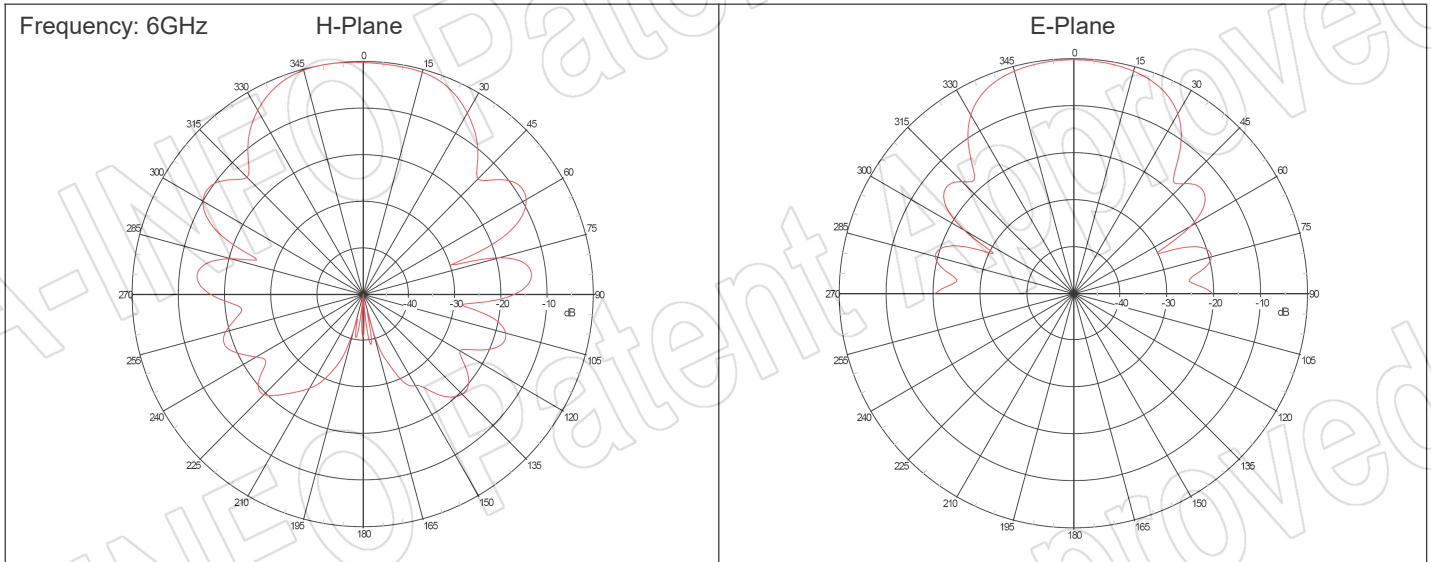
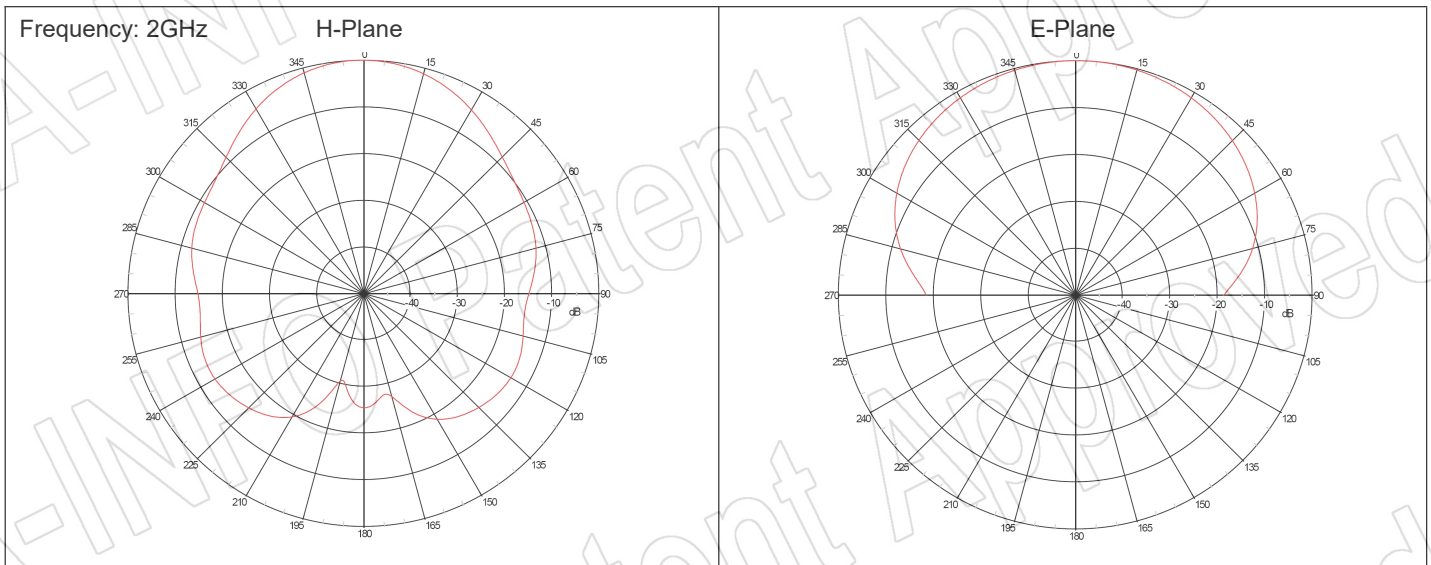
Frequency: 16.5GHz



H-Plane ——— E-Plane - - - - -
3dB Beamwidth (deg): 26.52 3dB Beamwidth (deg): 26.42



Pattern (Tested by NSI)



AINFO Inc.

China(Beijing):
China(Chengdu):
USA :

Tel: (+86) 10-6266-7326,
Tel: (+86) 28-8519-2786,
Tel: (+1) 949-639-9688,

(+86) 10-6266-7327
(+86) 28-8519-3044
(+1) 949-639-9608

Page 12 of 13

Fax: (+86) 10-6266-7379
Fax: (+86) 28-8519-3068
Fax: (+1) 949-639-9670

Website: www.ainfoinc.com
Email: sales@ainfoinc.com

